

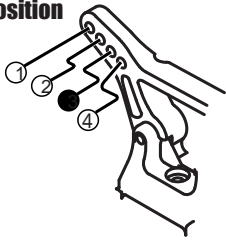
TEAM AZARASHI REDSEAL

SET UP SHEET Ver.1.1

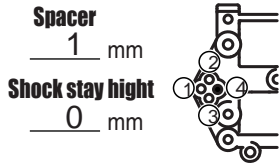
Driver: Shun KIMURA Date: _____
 Track: HDC Events: _____
 Condition: _____

FRONT SUSPENSIONS

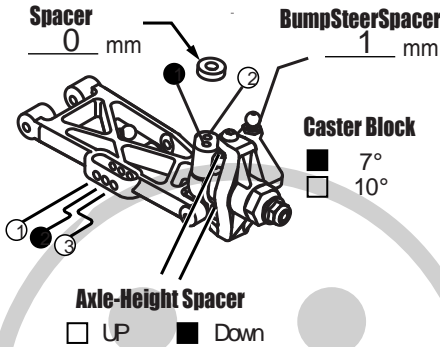
Shock Position



Shock stay
 LA216B
 LA216-B



Spacer 1 mm
 Shock stay height 0 mm



Spacer 0 mm BumpSteerSpacer 1 mm

Caster Block
 7°
 10°

Axle-Height Spacer
 UP Down

Diameter of A.R.B : mm

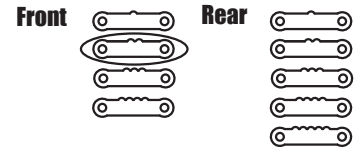
Bellcrank Spacer: 1 mm

Camber angle : -1.5

Toe angle : 0

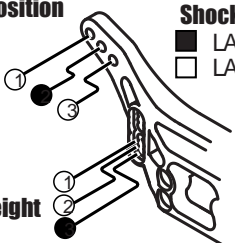
Ride Height : 22 mm

Sus. Holder Spacer



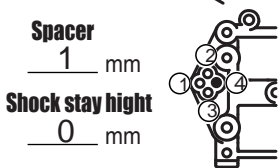
REAR SUSPENSIONS

Shock Position

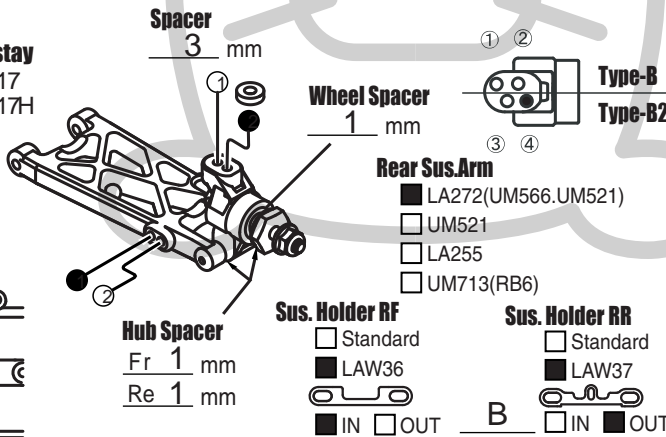


Shock stay
 LA217
 LA217H

Wing Height



Spacer 1 mm
 Shock stay height 0 mm



Spacer 3 mm

Wheel Spacer 1 mm Type-B Type-B2

Rear Sus.Arm
 LA272(UM566.UM521)
 UM521
 LA255
 UM713(RB6)

Sus. Holder RF
 Standard
 LAW36
 IN OUT

Sus. Holder RR
 Standard
 LAW37
 IN OUT

Hub Spacer
 Fr 1 mm
 Re 1 mm

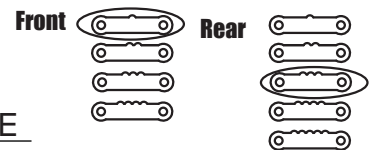
Diameter of A.R.B : mm

Camber angle : -1.5

Rear Hub add Toe :

Ride Height : 22 mm

Sus. Holder Spacer



FRONT SHOCKS

Spring: AVID PUR Piston: AE 1.6x 2h

Shock oil: Losi 37.5 Limiter: 1.0

REAR SHOCKS

Spring: AVID RED Piston: AE 1.7x 2h

Shock oil: Losi 32.5 Limiter: 2.0

DIFFERENTIALS

Front Diff setting: Lose

Rear Diff setting: Lose

AERO DEVICE

Body: REDSEAL Rear Wing: AZ-0034 N.Splend

Wing Angle : 0 Front Wing:

FRONT TIRES

Tire / Compound: Panther T725C

Insert: Stock Wheel: W5201W

REAR TIRES

Tire / Compound: Panther T755C

Insert: Stock Wheel: W5028W

ELECTRONICS

Motor: DryHop FL7.5T ESC: G-Force ST120

Pinion / Spur : T / T Servo: SANVA SRG-BLS

Radio: Receiver:

ESC Setting:

TRACK INFO

Traction: High / Midium / Low Somooth / Bumpy SoftDirt / Grass / Clay / Astroturf Dry / Wet Dusty / Clean